

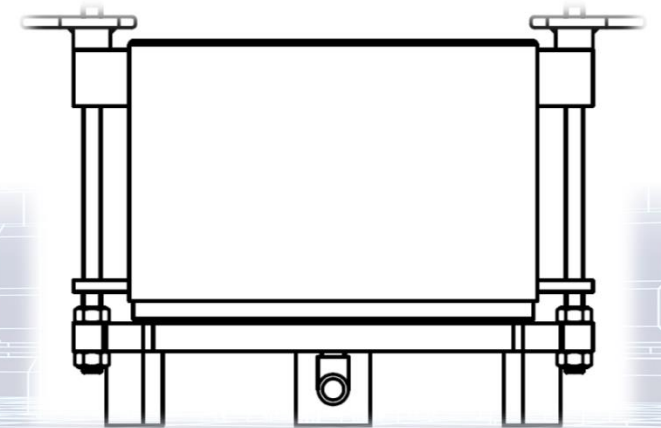
Alsto Vacuum Filter

For de-watering slurried batch samples and concentrates

The **Alsto** bench top Vacuum Filter is ideal for dewatering slurries and is easy to use and clean.

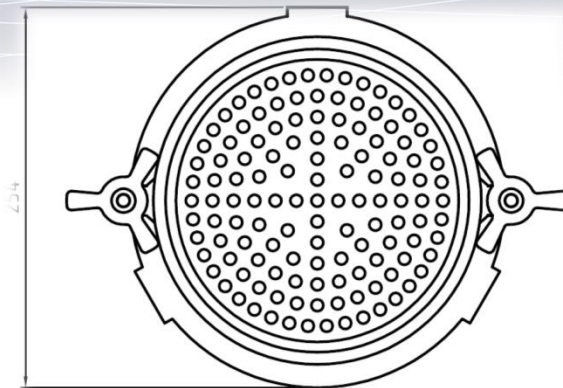
Vacuum Filter has a cylindrical body with filter cloth installed at the bottom. The slurry is poured into the top of the unit.

Dewatering is usually rapid, with the filter time depending upon the capacity of the vacuum pump used, and the characteristics of the material being filtered.



The Vacuum Filters are available in two sizes:

- #402021 Vacuum Filter 4L SS304
- #402186 Vacuum Filter 8L SS304



HS Code 847410 & Associated spares 847490

ALSTO

Phone: +61 (08) 9526 2523 | Email: sales@alsto.com.au
Fax: +61 (08) 9526 2522 | ABN: 41 047 362 761

AUSTRALIAN
TRUSTED
TRADER